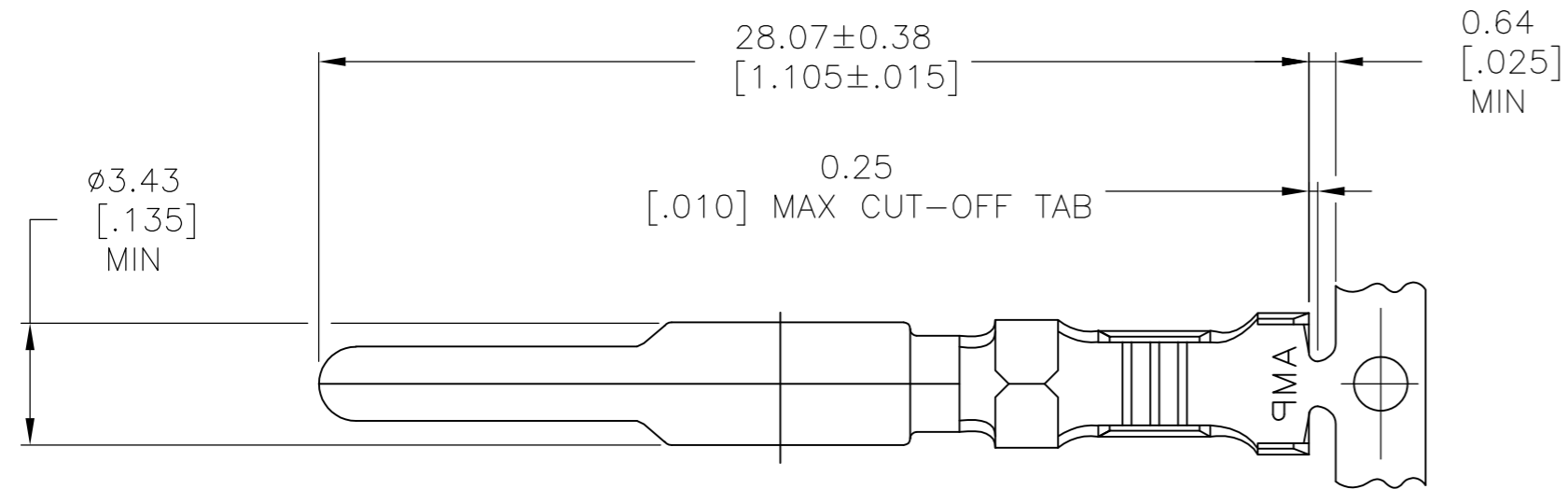
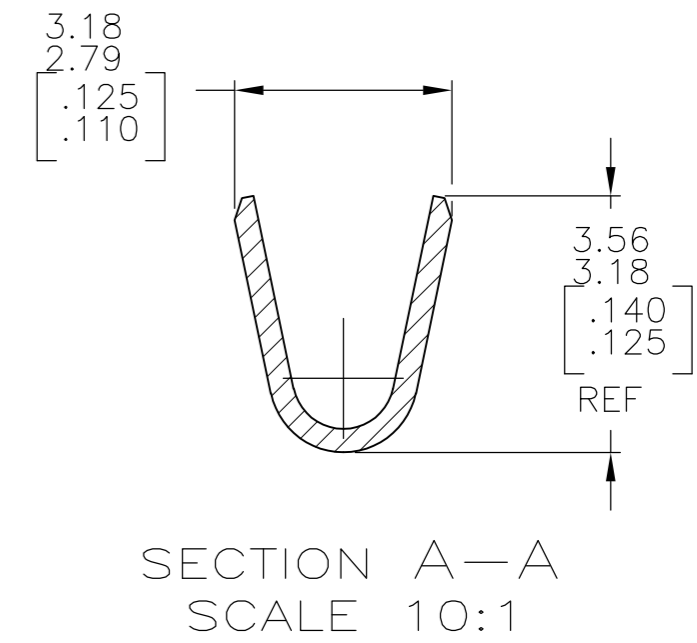
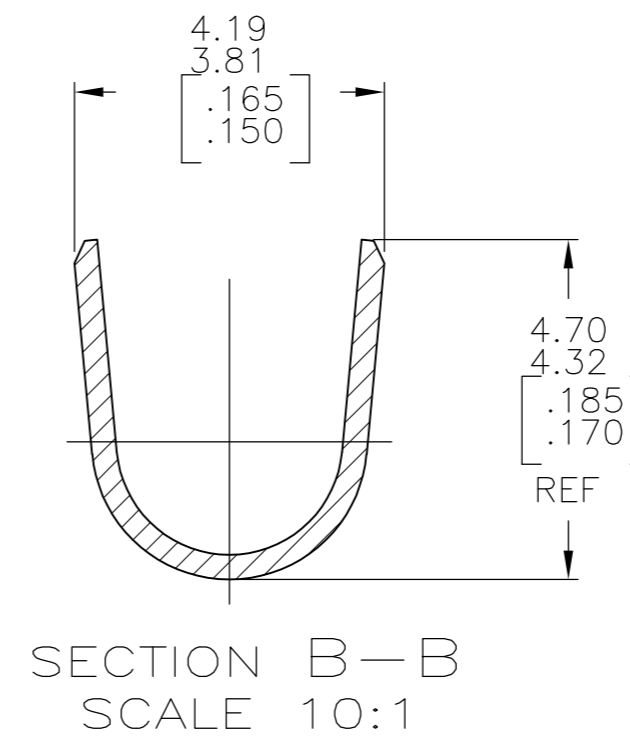
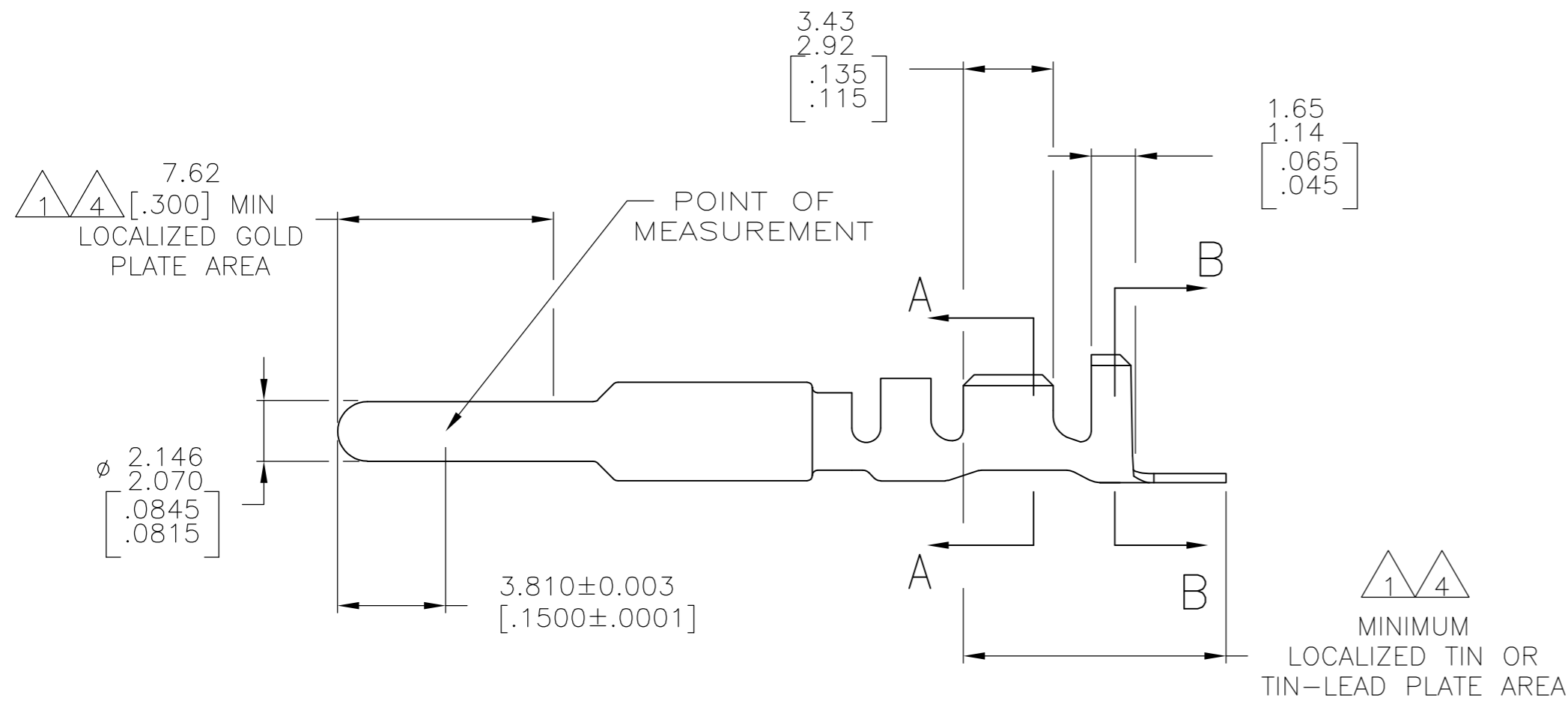


THIS DRAWING IS UNPUBLISHED. RELEASED FOR PUBLICATION  
 © COPYRIGHT - By - ALL RIGHTS RESERVED.

LOC		DIST		REVISIONS			
P	LTR	DESCRIPTION		DATE	DWN	APVD	
CM	00	L		REVISED PER ECR-13-008204	11DEC2013	KH	TM



- 1 0.00076[.000030] MIN GOLD AT POINT OF MEASUREMENT IN THE LOCALIZED GOLD PLATE AREA, 0.00127[.000050] MIN TIN-LEAD IN THE TIN-LEAD PLATE AREA, 0.00127[.000050] MIN NICKEL UNDERPLATE ON ENTIRE CONTACT.
- 2 WIRE RANGE: 0.5-2mm<sup>2</sup> [20-14] AWG. INSULATION RANGE: 1.52-3.30[.060-.130] DIA.
- 3 DIMENSIONS IN BRACKETS ARE IN INCHES.
- 4 0.00076[.000030] MIN GOLD AT POINT OF MEASUREMENT IN THE LOCALIZED GOLD PLATE AREA, 0.00127[.000050] MIN MATTE TIN IN MATTE TIN PLATE AREA, 0.00127[.000050] MIN NICKEL UNDERPLATE ON ENTIRE CONTACT.
- 5 SUPERSEDED BY 1-770193-0



5	GOLD 4	0.30[.012]	BRASS	1-770193-0
	GOLD 1	0.30[.012]	BRASS	-770193-2-
	PRE-TIN	0.30[.012]	BRASS	770193-1
	FINISH		MATERIAL	PART NUMBER

DIMENSIONS:		TOLERANCES UNLESS OTHERWISE SPECIFIED:		DWN		11AUG03		S. CARPENTER	
mm [INCHES]		0 PLC	± -	CHK		11AUG03		C. JONES	
		1 PLC	± -	APVD		11AUG03		C. JONES	
		2 PLC	± -	PRODUCT SPEC					
		3 PLC	± -	APPLICATION SPEC					
		4 PLC	± -						
		ANGLES	± -						
MATERIAL	SEE TABLE	FINISH	SEE TABLE	WEIGHT	-	SIZE	A2	CAGE CODE	00779
				CUSTOMER DRAWING		DRAWING NO	C=770193	RESTRICTED TO	-
						SCALE	5:1	SHEET	1 OF 1
						REV	L		